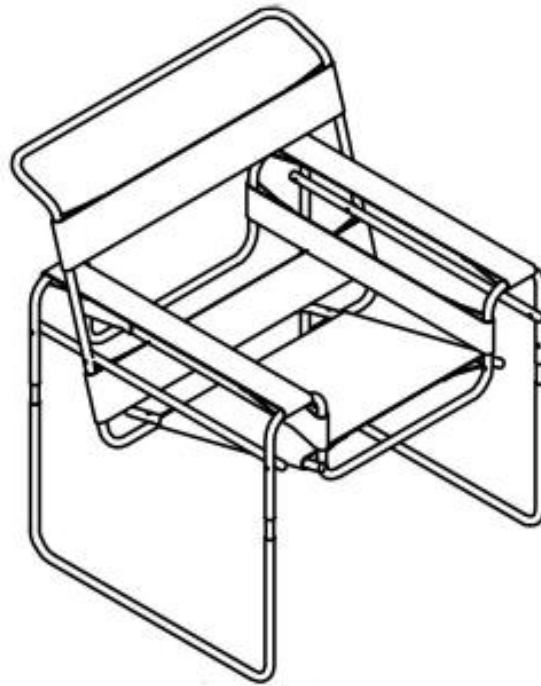




COZYMATIC

Bowie Faux Leather Armchair

Assembly Instructions

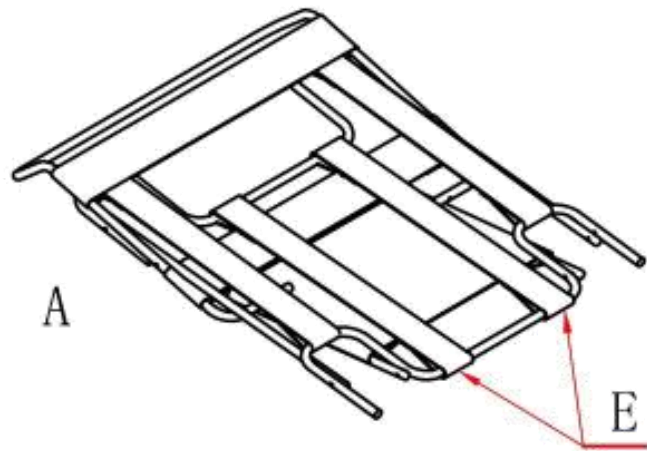


No.	Name	Diagram	Descriptions	Qty.
A	Metal frame			1
B	Metal leg			2
C	Screw		M6*40	2

No.	Name	Diagram	Descriptions	Qty.
D	Screw		M6*15	4
E	Leather			2
F	Screwdriver		60*22*4	1

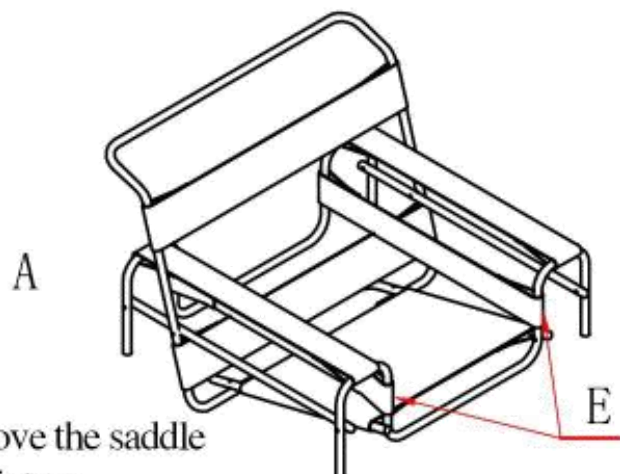


step1



Step 1: Open the box and put unassembled chair on the box.

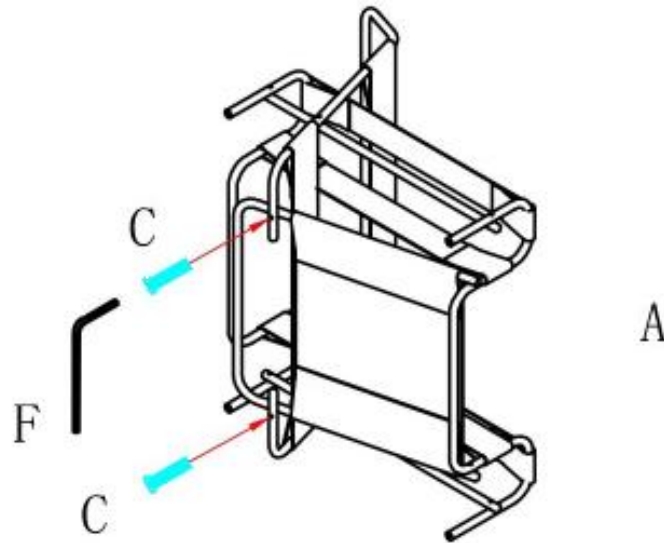
step2



Step 2: Unfold the chair, move the saddle leather as is shown in the picture

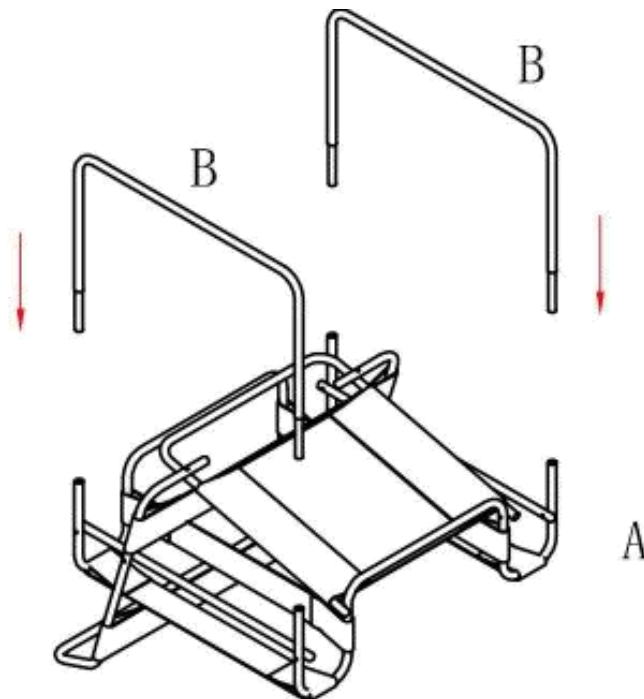


step3



Step 3: Metal frame (A) on the side, one person opens metal frame(A) and aligns the connecting hole, another person puts screws(C) into metal frame with the allen key(F)

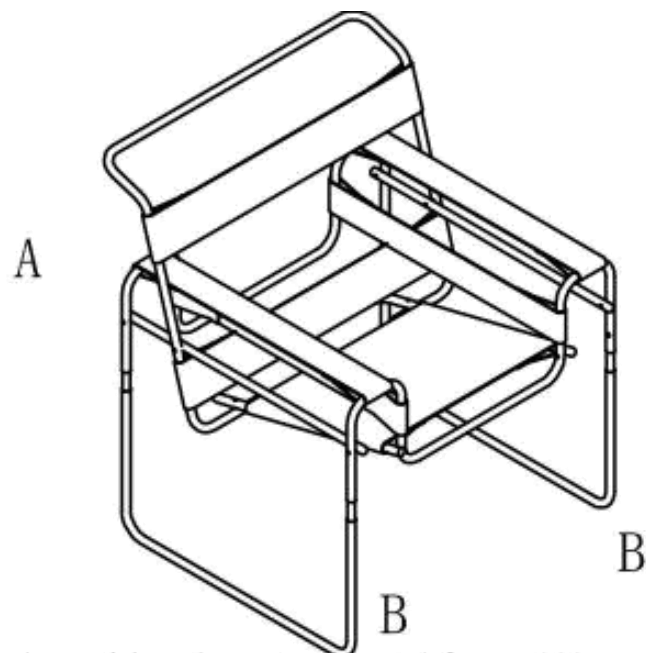
step4



Step 4: Place metal frame(A) upside down, and insert legs(B) into metal frame(A)

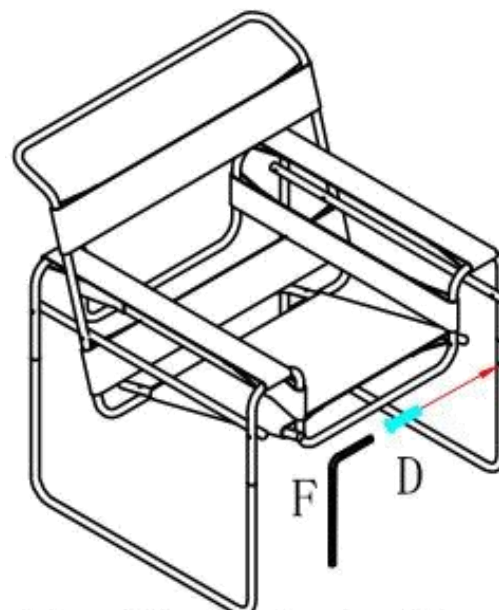


step5



Step 5: Place A upside, please tap metal frame(A) gently down, until the tabule of legs(B) fully enters metal frame(A)

step6



Step 6: Screw (D) into each legs (B) with allen key(F), put the chair on the levelde place, Now the assembly is done.