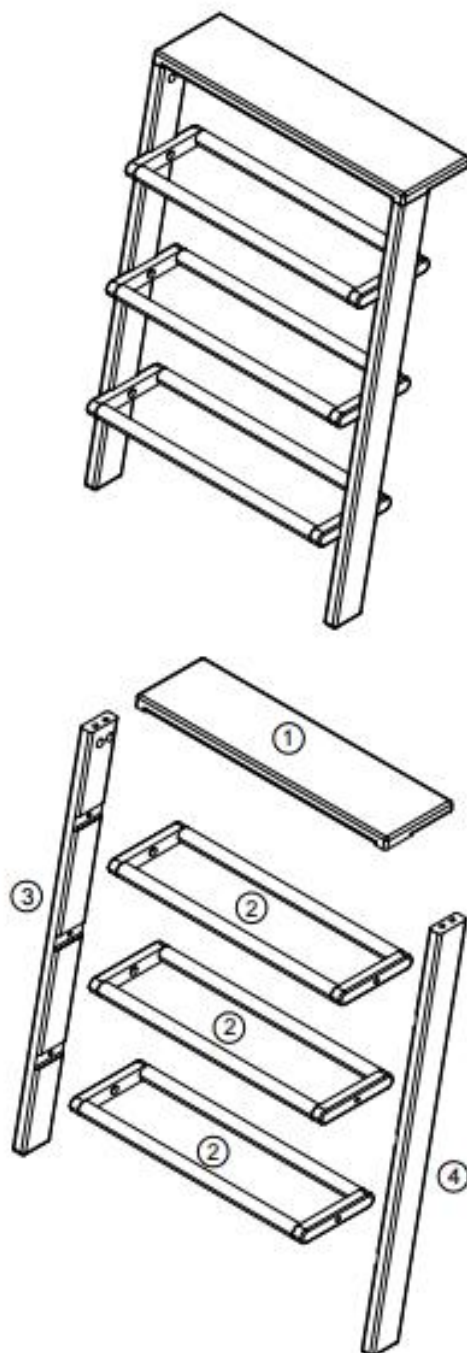











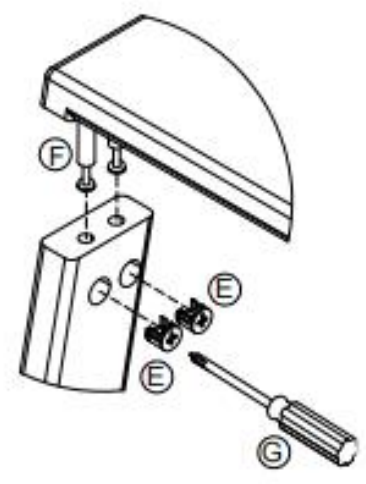
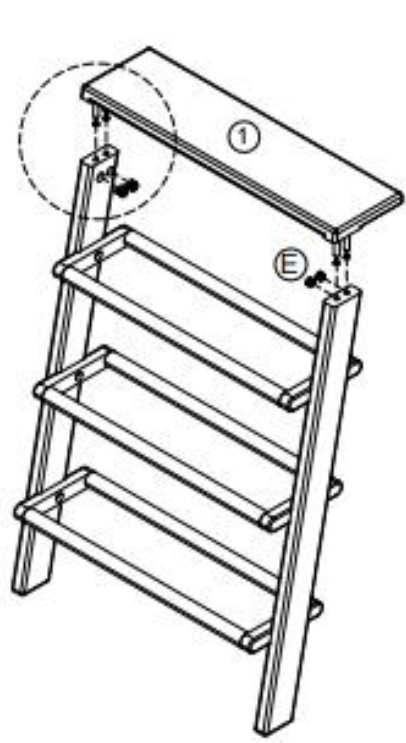
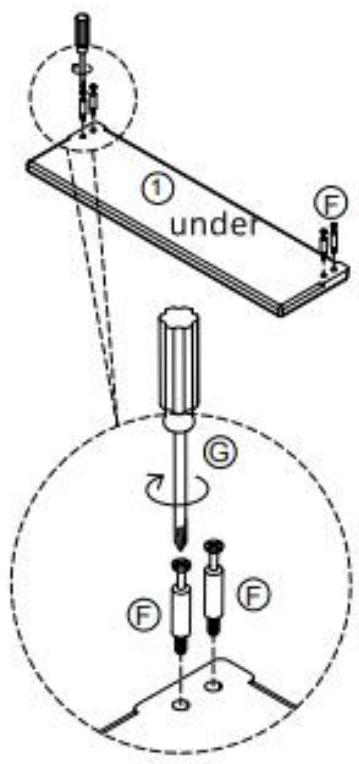
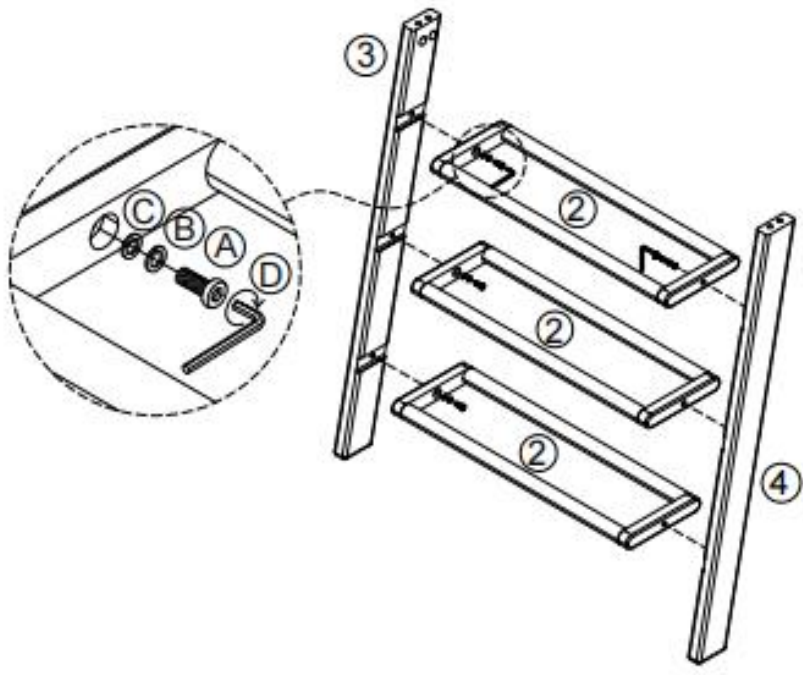
**COZYMATIC**

## Burrier Shoe Rack-Narrow

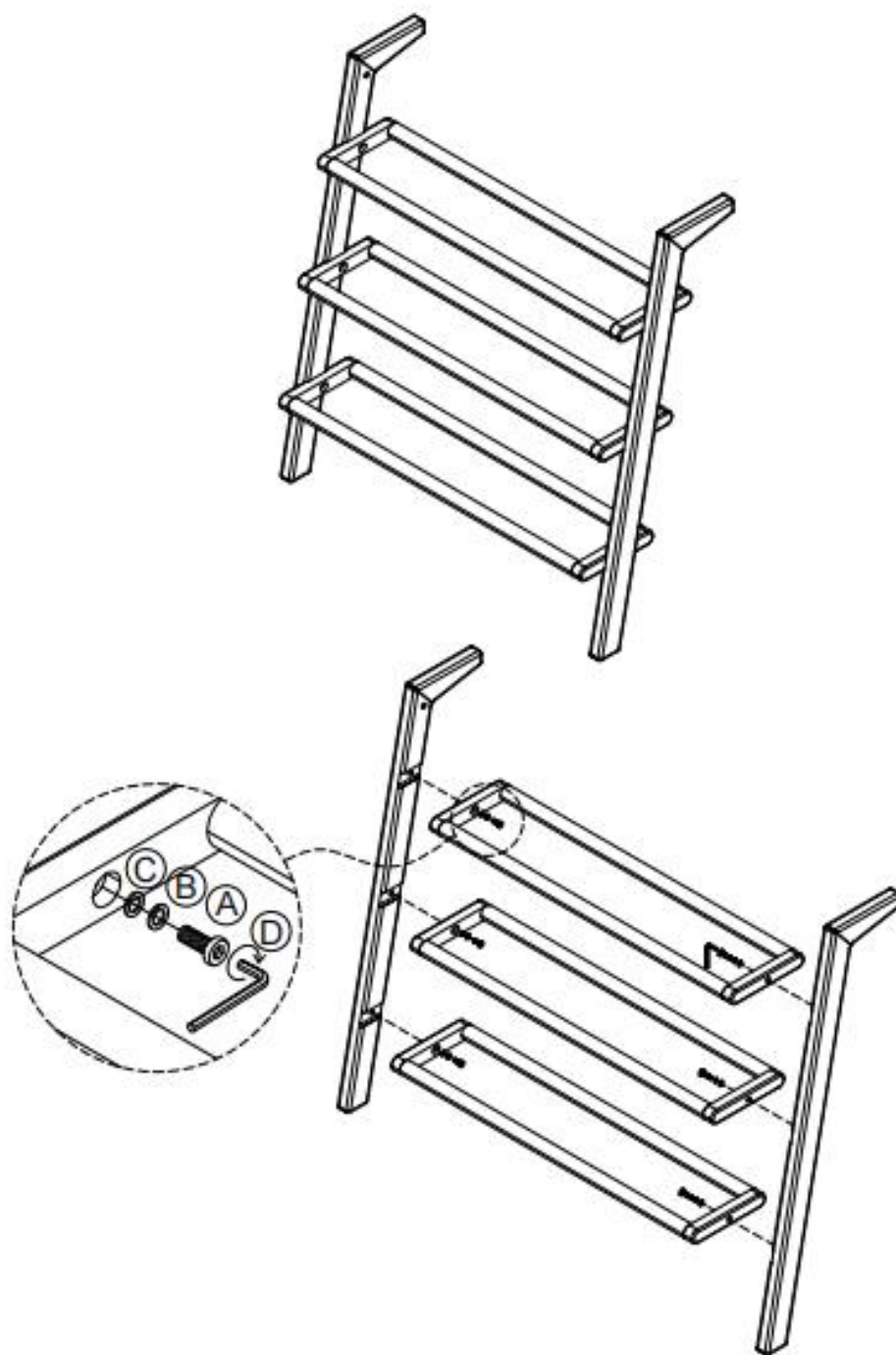


### Components

						
M6*25=6	M6=6	M6=6	hexagonal wrench =1	triple =4	triple =4	prepare yourself =1



# Burrier Shoe Rack-Wide



<b>(A)</b> 	<b>(B)</b> 	<b>(C)</b> 	<b>(D)</b> 
M6*25=6	M6=6	M6=6	hexagonal wrench=1