



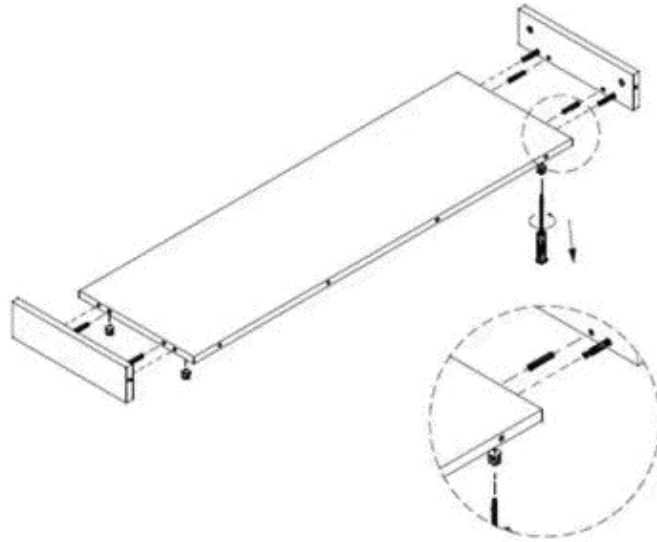
COZYMATIC

Chapple Wood Console Table

Assembly Instructions

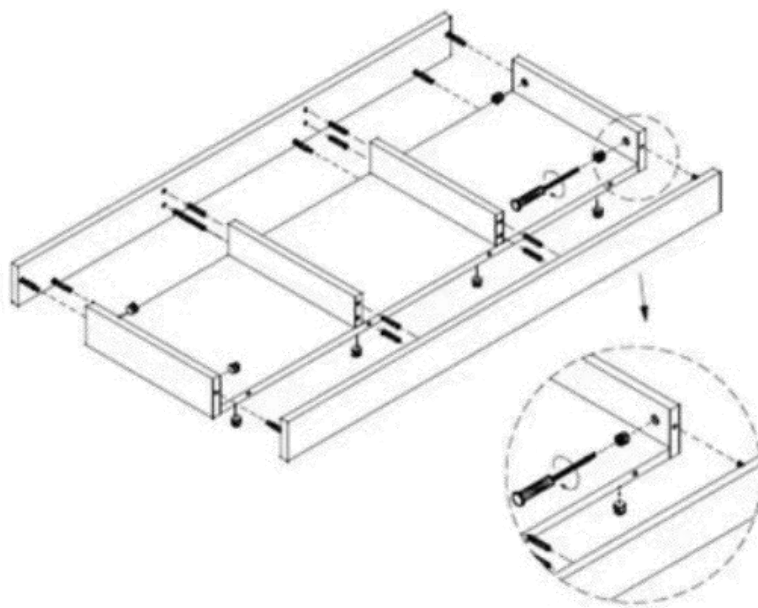


step 1



Install the side panel in the correct position on the base panel as shown

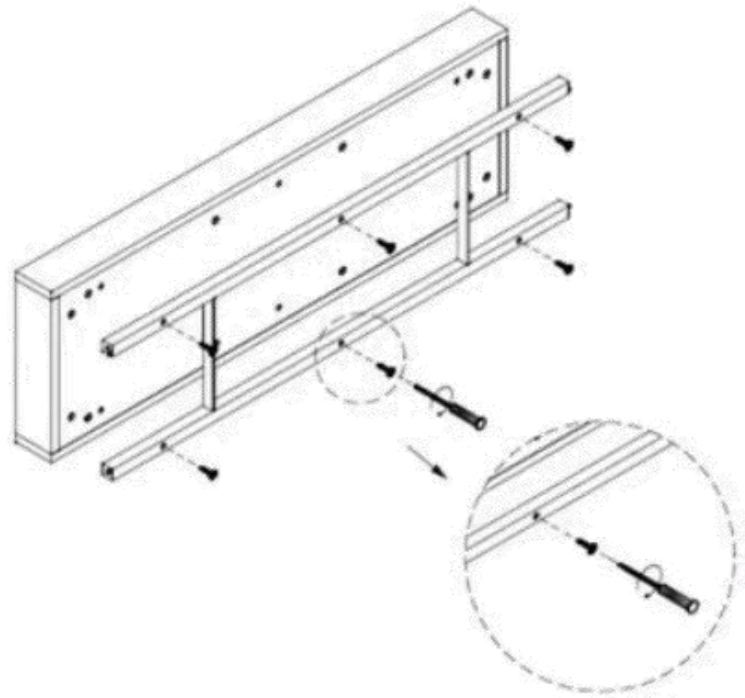
step 2



Install the front and rear panels and the middle riser to the assembly separately

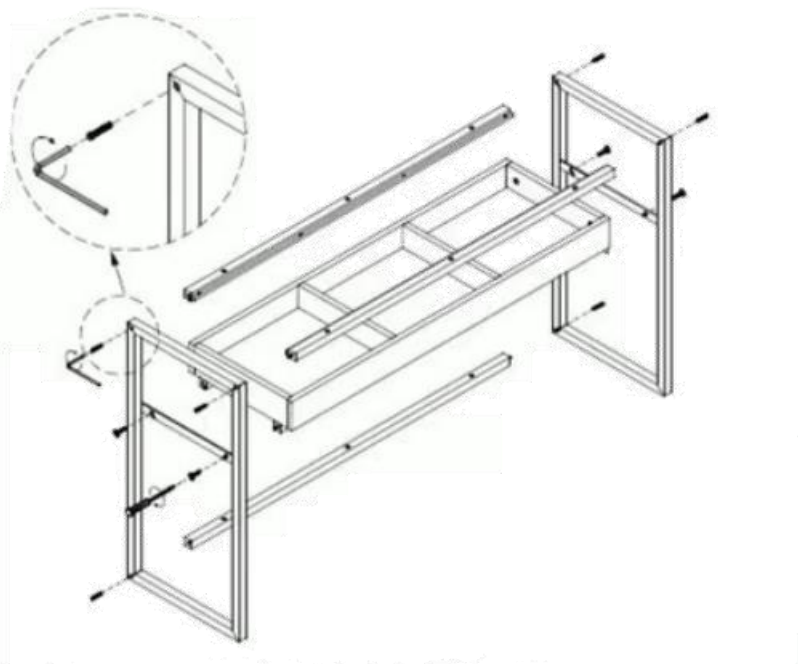


step 3



Install the finished cabinet on the iron frame

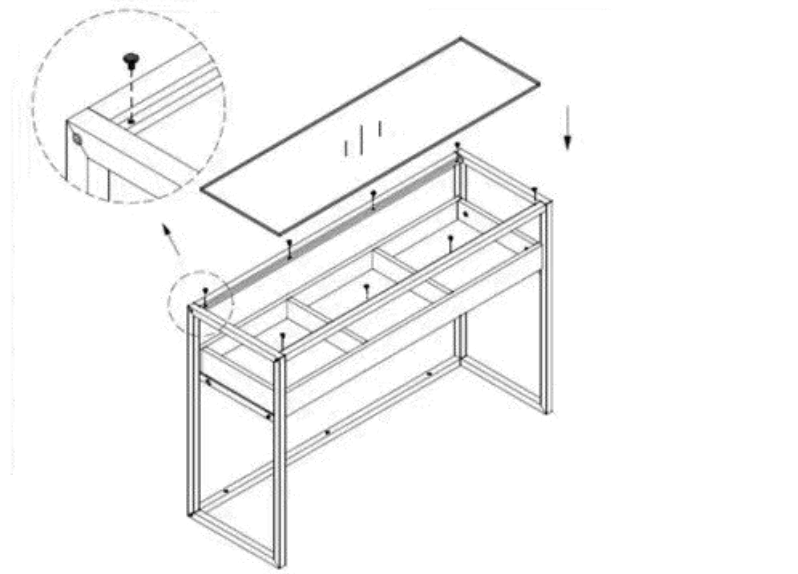
step 4



Fix both sides of the installed components and other components with iron frames respectively

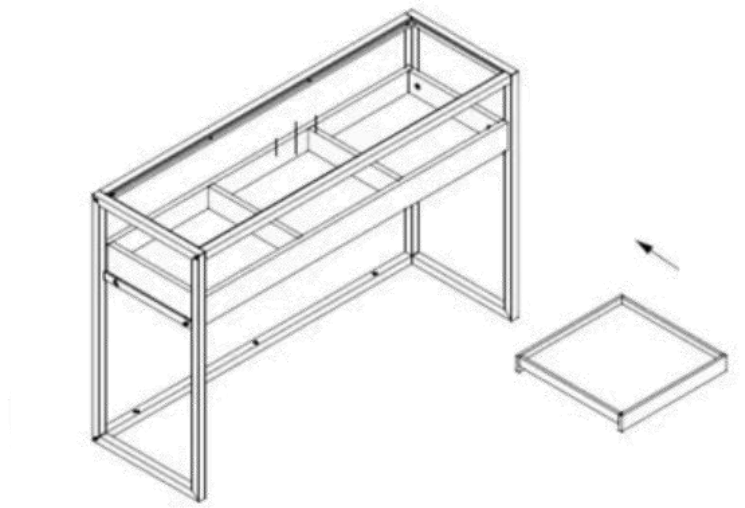


step 5



Put the suction cup in the correct position, then install the glass

step 6



finish installation