












**COZY**MATIC

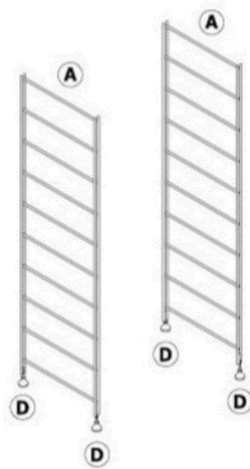
# **Etagere Minimalist Baker's Rack**

Assembly Instructions

## Accessories list

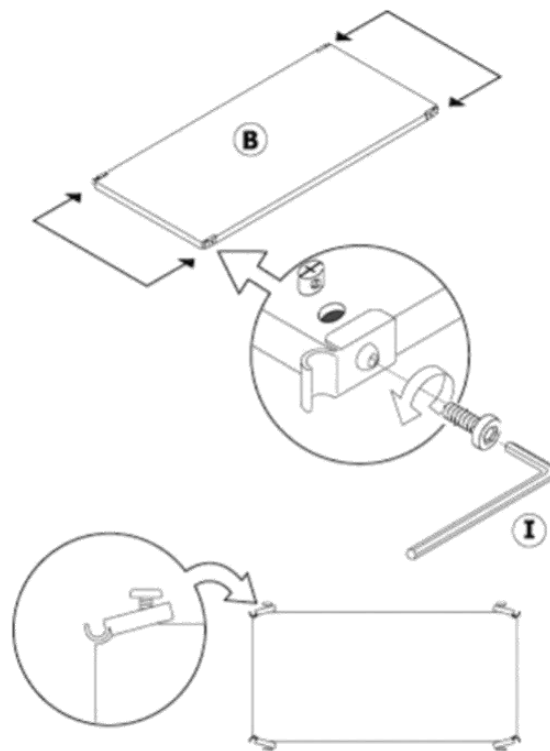
A	B	C	D
			
E	F	G	H
			
I			
			

### step 1

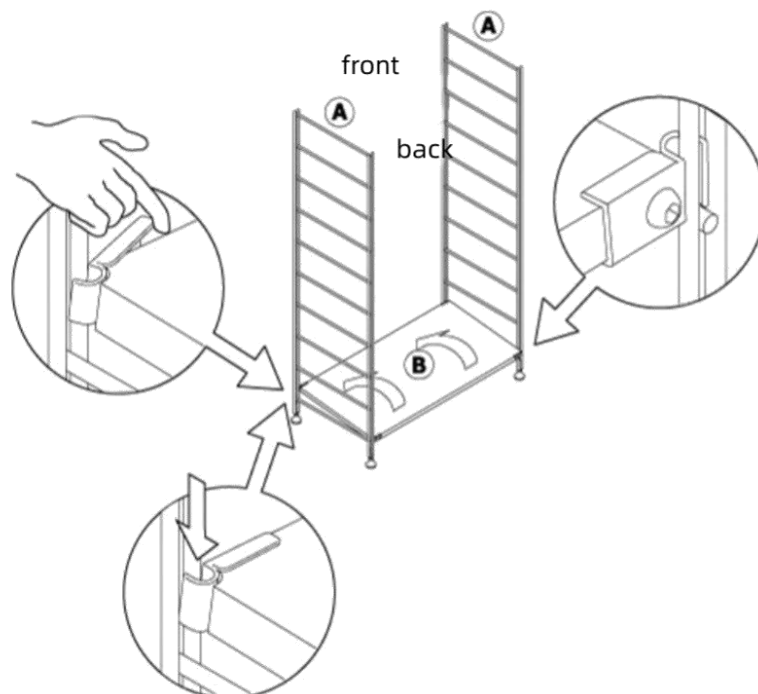




### step 2



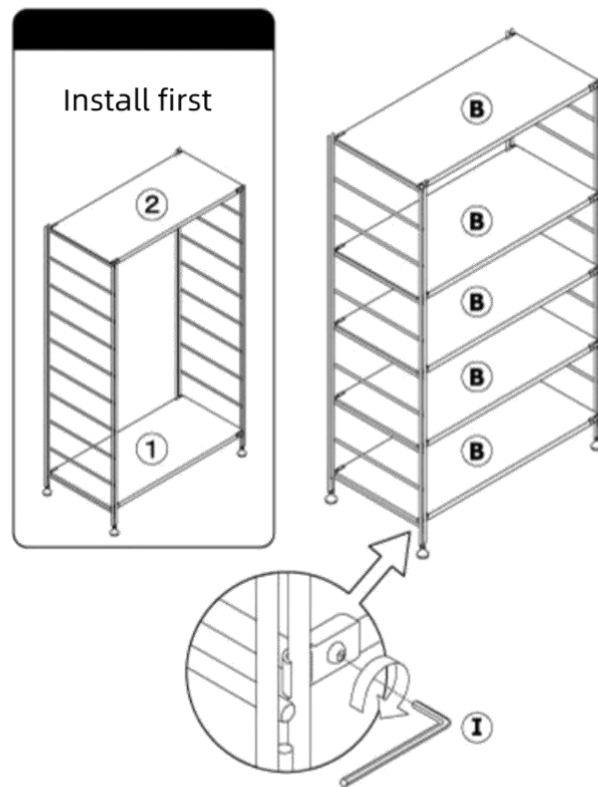
### step 3



Place the side panel A as shown in the figure, insert the bottom panel B into the side panel A obliquely, and install the metal connector to the connection place with appropriate force.

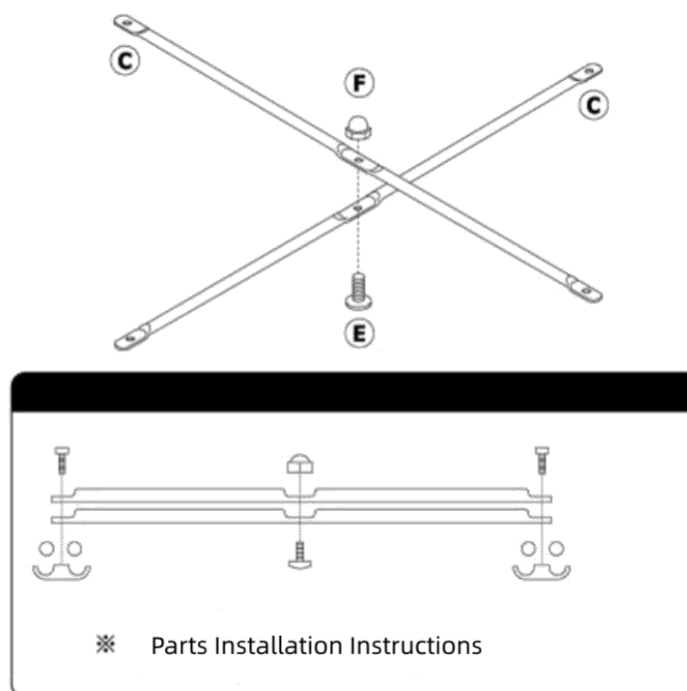


### step 4



Please install the top plate and bottom plate first

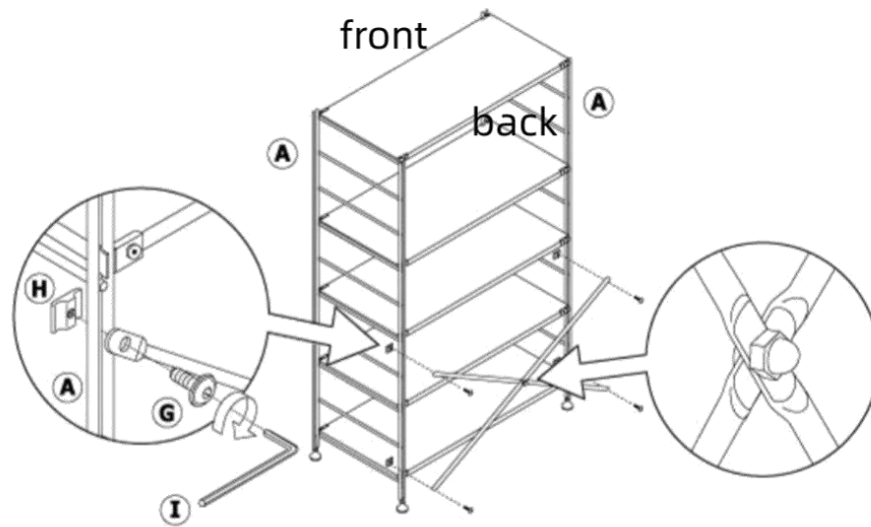
### step 5



Install the support rod C and parts E and F as shown in the figure, and unfold them to the appropriate width

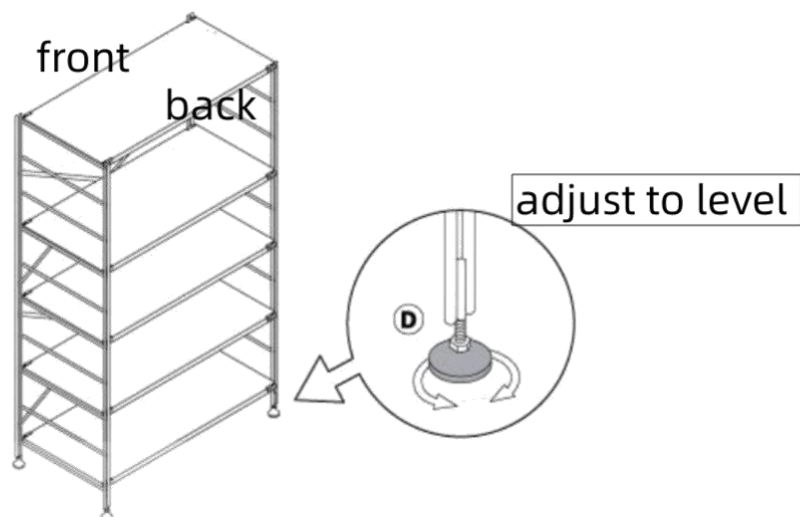


## step 6



Please be sure to distinguish the front and back when installing

## step 7



Congrats on completion