



COZYMATIC

Ibiza Back Convertible Sofa Bed

Assembly Instructions



A:hexagon screws*4



B:screw nut*4



C:gasket*2



D:wrench*1



E:wrench*1



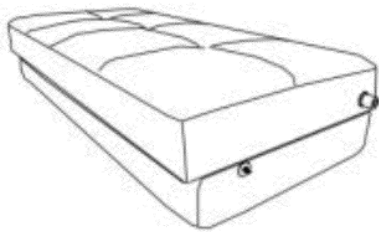
F:armrest*2



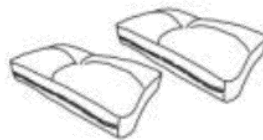
G:crossbar*1



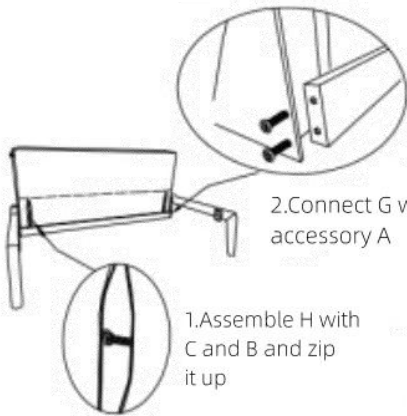
H:shelf*1



I:Seat stand*1

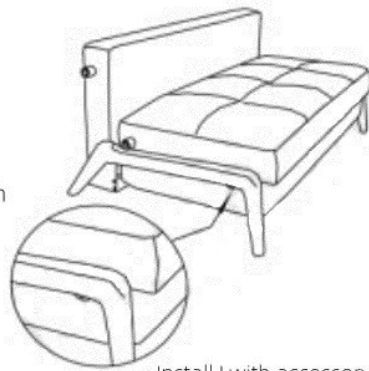


J:cushion*2



1.Assemble H with C and B and zip it up

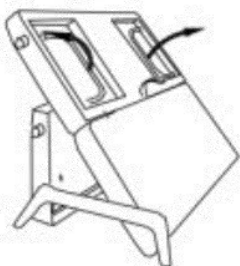
2.Connect G with accessory A



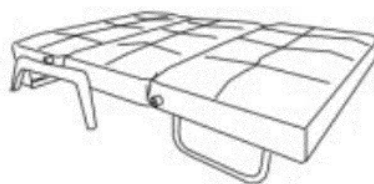
Install I with accessory B



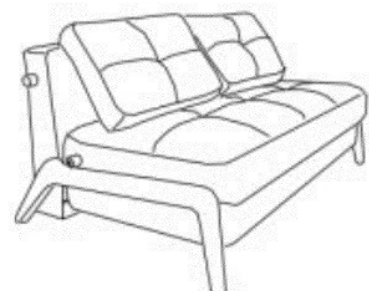
Sofa bed: 1. Lift up the seat frame, pull the strap inside and turn the seat frame up



Sofa bed 2. Pull out the hidden feet and slowly lower them forward to use



Sofa bed



Sofa