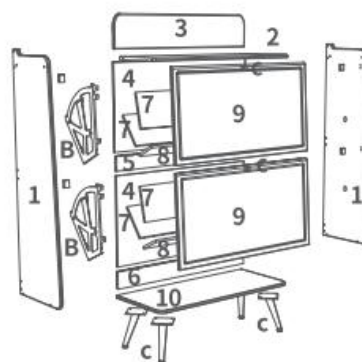
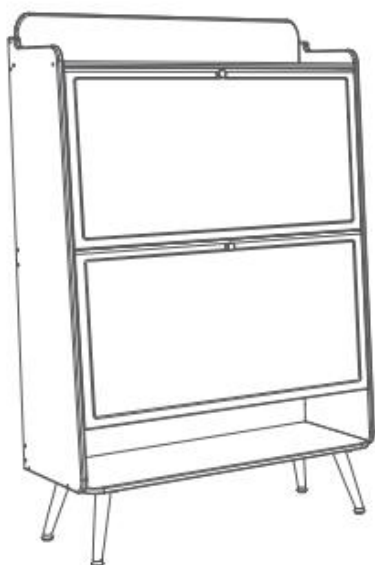



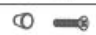











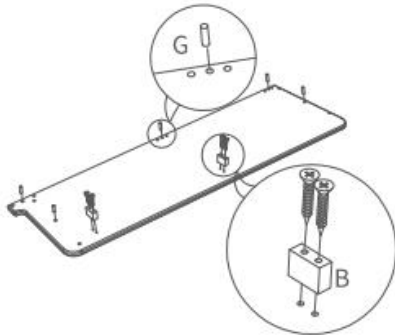
COZYMATIC

Parts and Installation Instructions

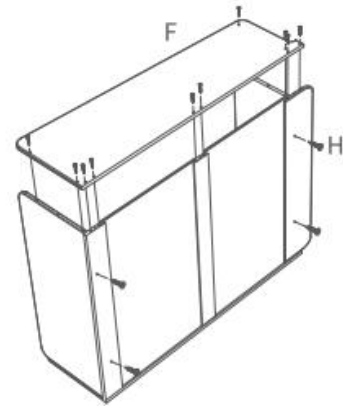


1	left and right side panels	2PCS
2	roof	1PCS
3	upper bezel	1PCS
4	backplane	2PCS
5	middle tie	1PCS
6	drop down	1PCS
7	large shoe rack	4PCS
8	Shoe rack small pull strip	2PCS
9	door panel	2PCS
10	bottom plate	1PCS
A		36PCS
B		4PCS
C		16PCS
D		2PCS
E		1PCS
F		20PCS
G		10PCS
H		4PCS
I		4PCS
J		1PCS
K		1PCS

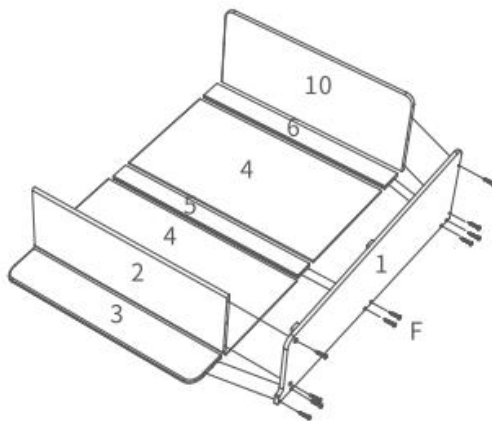
Install the inner metal block of B to 1 and insert G into the hole of 1



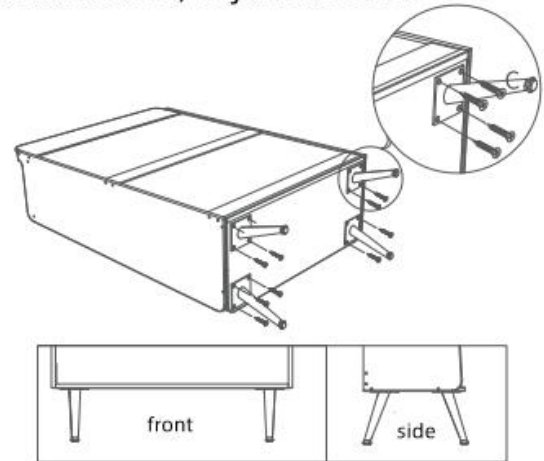
1 and 2, 3, 4, 5, 6 are fixed with F connection; 3 and 2, 6 and 10 are connected with H



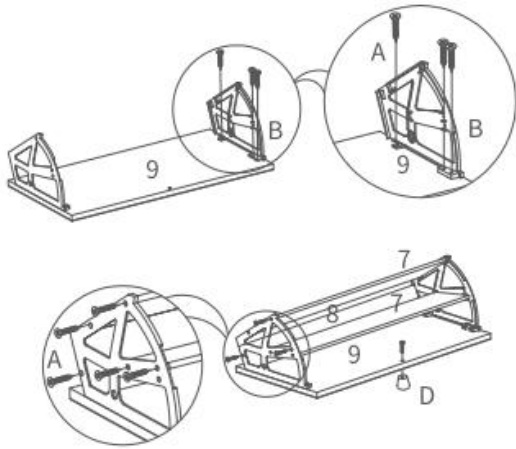
1 and 2, 3, 4, 5, 6 are fixed with F connection



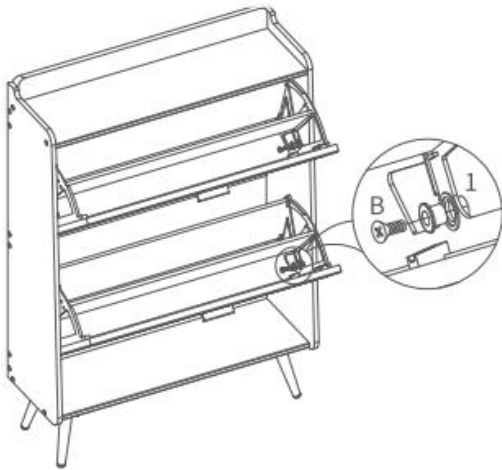
Use C to install I on 10, pay attention to the direction of the metal feet, turn the foot pads on the metal feet, adjust the level



Use A to install B on 9; install 7, 8 in B; fix D on 9



B fitting mounted on 1



Install anti-tipping device

