



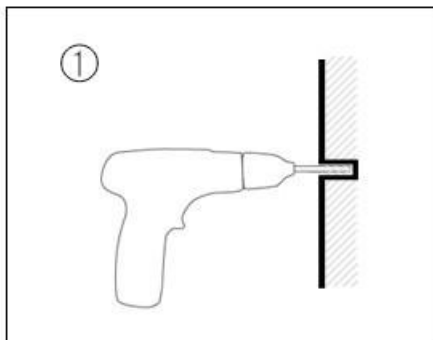
**COZY**MATIC

**Multifunctional Solid Wood  
Coat Hooks**

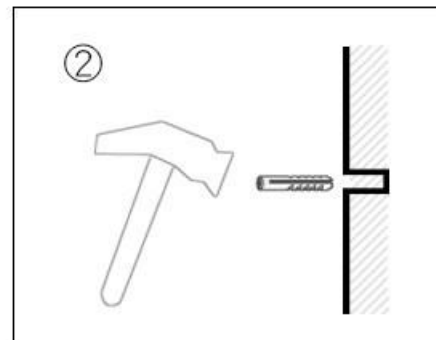
Assembly Instructions

# Installation Steps

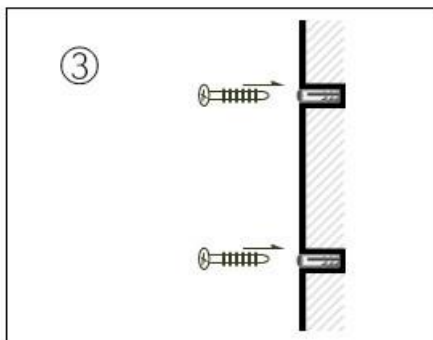
This product needs to be punched in the wall



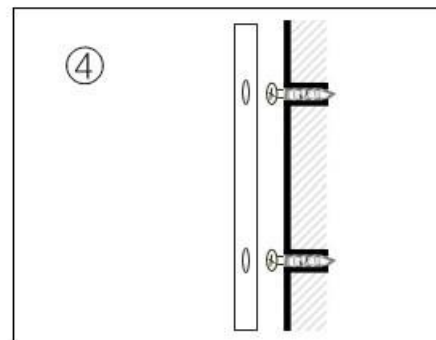
Step 1: Use a 6mm drill bit, punch a hole in the wall that needs to be installed, the depth is 4cm, make sure that the drilling remains perpendicular to the wall



Step 2: Knock the product accessory expansion pipe into the hole with a hammer



Step 3: Screw the screw into the expansion tube, the screw needs to retain the length of 5mm protruding



Step 4: Align the hook of the coat rack with the screw head to complete the installation

Note: This product is equipped with a ruler, please follow the holes on the ruler





COZYMATIC

